

# Total Solutions System **STATIONARY BATTERIES**



# WINNER<sup>®</sup>

BATTERY  
SWITCH FOR SUCCESS

## FLA STATIONARY CELL

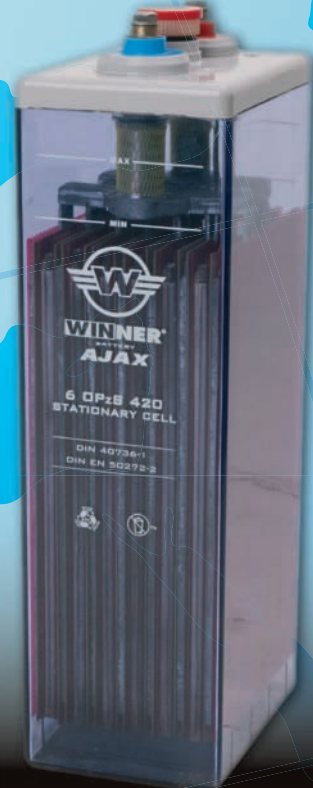
- High endurance OPzS Heavy Duty cells & blocks
- SAN transparent Containers - Tubular positive plates
- Superior low/high current discharge performance
- Excellent deep cycle/temperature resistance performance
- Minimum maintenance - every 1-2 years in float charge under normal stand by operation
- More than 2400 cycles at 50% D.O.D
- Design floating service life of 18 years at 25°C



[www.winnerbattery.net](http://www.winnerbattery.net)

# AJAX

OPzS STATIONARY SERIES



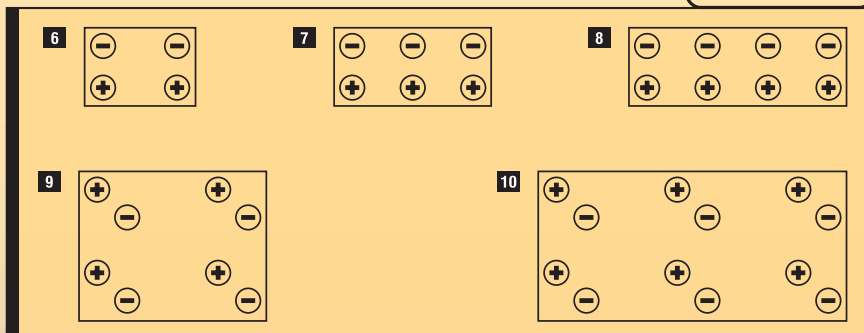
DIN Type	Volt-age	Capacity	Capacity	Discharge Current in 10 hours	Short Circuit Current	Dimensions (mm)				Layout	Terminal	Cell Weight With Acid
	V	AH Cnom	AH C10	A	A	L	W	H	T.H.			kg
4 OPZS 200	2	200	208	20	3129	206	103	354	409	5	F19	17,20
5 OPZS 250	2	250	259	25	3345	206	124	354	409	5	F19	20,80
6 OPZS 300	2	300	310	30	3661	206	145	354	409	5	F19	24,30
5 OPZS 350	2	350	380	35	3804	206	124	470	525	5	F19	26,90
6 OPZS 420	2	420	454	42	4042	206	145	470	525	5	F19	31,50
7 OPZS 490	2	490	532	49	4311	206	166	470	525	5	F19	36,10
6 OPZS 600	2	600	640	60	4409	210	145	645	700	5	F19	44,80
8 OPZS 800	2	800	853	80	4732	210	191	645	700	6	F19	61,30
10 OPZS 1000	2	1000	1065	100	5243	210	233	645	700	6	F19	74,60
12 OPZS 1200	2	1200	1278	120	5706	210	275	645	700	6	F19	88,00
12 OPZS 1500	2	1500	1613	150	6063	210	275	795	850	6	F19	114,30
14 OPZS 1750	2	1750	1880	175	6260	212	399	771	826	7	F19	140,20
16 OPZS 2000	2	2000	2143	200	6929	214	399	771	826	7	F20	166,00
20 OPZS 2500	2	2500	2675	250	7462	212	487	771	826	8	F20	204,00
24 OPZS 3000	2	3000	3208	300	8083	212	576	771	826	8	F20	242,00
1 OPZS 50	12	50	51	5	694	205	272	335	390	1	F19	37,00
2 OPZS 100	12	100	103	10	1143	205	272	335	390	1	F19	48,00
3 OPZS 150	12	150	154	15	1690	205	380	335	390	1	F19	68,00
4 OPZS 200	6	200	204	20	2500	205	272	335	390	2	F19	45,50
5 OPZS 250	6	250	255	25	2857	205	380	335	390	2	F19	59,00
6 OPZS 300	6	300	307	30	3333	205	380	335	390	2	F19	65,00

More types available on request

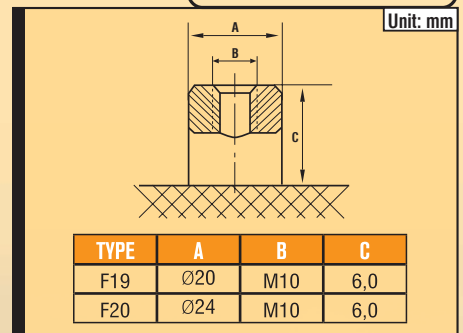
KEY FOR LAY OUT



KEY FOR LAY OUT



KEY FOR TERMINAL TYPE



## APPLICATIONS

- Solar/wind/ hydroelectric energy storage systems
- Power Generation & Distribution Stations
- High power U.P.S / E.P.S
- Maritime service & Power yachts
- Signaling equipment for ports/railways/airports
- Remote Mobile Telecom Transmit Stations
- Switchgear Control Power
- Medical facilities

## STANDARDS

- DIN 40736, DIN40737 • IEC 60896-21/22 2004
- BS EN 61427-2002

Wherever batteries go



VIOSY S.A. • Central Office:

17th klm N.R. Athens-Corinth, 19300, Aspropyrgos, Athens, Greece • Tel.: +30 210 3474444 • Fax: +30 210 3479931

http://www.winnerbattery.net • e-mail: info@winnerbattery.net • http://www.viosy.gr • e-mail: info@viosy.gr